

INSTRUCTIONS FOR INSTALLING A BLOWER MOTOR REPLACEMENT KIT IN A  
NATIONAL VENDORS,<sup>®</sup>CROWN SEVENTY TWO <sup>®</sup>GG-424 GRAND GOURMET  
FOOD MERCHANDISER

**CHECK THE PARTS RECEIVED IN THE KIT WITH THE PARTS LIST  
IN THESE INSTRUCTIONS. IF ANY PARTS ARE MISSING, CONTACT  
NATIONAL VENDORS' PARTS DEPARTMENT IMMEDIATELY.**

These instructions cover the procedure for installing a Blower Motor Replacement Kit in a GG-424 Grand Gourmet Food Merchandiser.

Read these instructions carefully and thoroughly before installing the Kit. Retain these instructions for part number and installation information.

Blower Motor Replacement Kit, part number 424-1289, contains the following parts:

Part Number	Description	Quantity
424-1283	Blower Motor	1
2229056	Washer-Spring Retaining	4
4301263	Seal-Blower Motor	2
424-1284	Blower Motor Service Label	1
424-1288	Installation Instructions	1

#### TO INSTALL THE KIT

##### A. PARTS REMOVAL

1. Unlock and open the Monetary Compartment.
2. Move the Main Switch to the OFF position.
3. Fully open the Display Door.
4. Remove the two lower Food Trays from the Merchandiser.
5. Remove nine attaching Screws and the Heat Exchanger Top Cover from the Merchandiser.
6. Remove four attaching Screws and the Blower Housing Inlet from the Blower Housing.
7. Using a 1/8" Allen Head Wrench, loosen the attaching Set Screw and remove the Blower Wheel from the Blower Motor Shaft.
8. Disconnect the Blower Motor Harness from the Solenoid Channel Harness.
9. Remove two attaching Nuts and the Blower Motor and Bracket Assembly from the two Studs located on the underside of the Cabinet Center Pan.
10. Remove the Screw attaching the Wire Clamp to the Blower Motor Bracket and remove the Wire Clamp from the Motor Harness. Be sure to retain the Screw and Clamp.
11. Remove the two Nuts attaching the Blower Motor and the cork Blower Motor Cushion to the Blower Motor Bracket.

##### B. INSTALLATION OF THE KIT

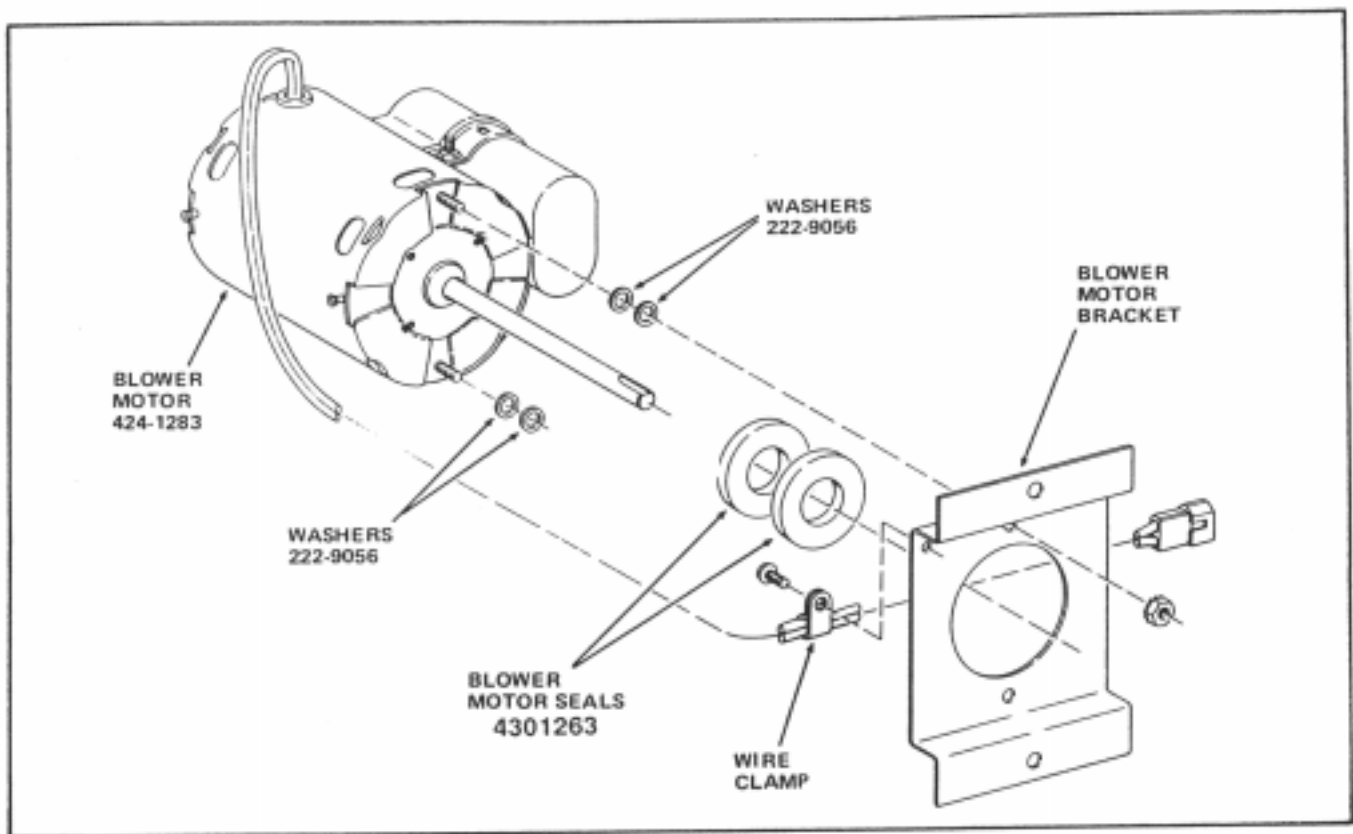
###### CAUTION

Discard the cork Blower Motor Cushion which was removed along with the defective Blower Motor. Do not install the cork cushion on the replacement Blower Motor. Only those parts shown in the Figure should be installed on the replacement Blower Motor.

1. Remove the backing from the three Blower Motor Seals, part number 4301263, and place them on the Blower Motor, part number 424-1283, as shown in Figure. Both parts are included in the Kit.
2. Place two of the Washers included in the Kit, part number 222-9056, on each of the two Blower Motor Studs. See Figure.
3. Attach the Blower Motor Bracket to the Blower Motor Studs with the two Nuts removed in Step A-11. See Figure.
4. Place the Wire Clamp removed in Step A-10 around the Blower Motor Harness and attach the Wire Clamp to the Blower Motor Bracket with the Screw removed in the same step. See Figure.
5. Affix the Blower Motor Service Label included in the kit, part number 424-1284, to the left, front corner of the Cabinet Base directly in front of the Door-Check Assembly.
6. Reverse Steps A-9 through A-1 to install the Blower Motor and Bracket Assembly in the Merchandiser.

###### CAUTION

To insure proper Blower Motor operation, oil motor with ten drops of No.20 non-detergent oil every six months.



FIGURE